

CONFIGURATION

Electric Reversing	Combination Instrument
Overhead Guard	Working Hour Meter
Top Rain Shelter	Oil Content Meter
Pedal Rubber	Water-thermometer
Semi-suspension Seat	Charging Indicator
Wide Field Mast (2 Stage)	Neutral Position Switch
Fork Carriage	Oil Pressure Warning
Backrest	Electric Horn
Standard Forks	LED Signal Lamp
Adjustable Steering Column	Reversing Buzzer
Lifting and Tilting Joysticks	Backup Mirror
Two Piece Multiplex Valve	Traction Pin
Full-hydraulic Power Steering	Tool Box
Tilting Cylinder Latching Valve	

OPTIONAL

Mechanical Reversing	Fire Extinguishing Muffler
Solid Tires	Driving OPS
Cabin	Full Set OPS (Including drive and lift)
Working Warning Light	Full Set LED Lamps
Suspension Seat	Reversing Voice Horn
Cold A/C	Overspeed Alarm, 10km/h
Warm-air Blower	Electric Fan
Front Windscreen	Sound-light Alarm
High Level Exhaust	Rear Working Lamp
Double Air Filter	Lengthen Fork Jacket
Oil Bath Air Filter	Tilting Cylinder Sleeve
Widen Fork Frame	Steering Cylinder Sleeve
Multiple Work Attachments	Custom Colors

PRODUCT FEATURES

Attractive Appearance Smooth and novel styling, balance weight with car design elements, strong personality, dynamic.
Lowering Energy Consumption Optimized design of load sensing hydraulic system reduces vehicle fuel consumption Effectively.
Operating Comfort Adopted interactive ergonomic design to improve operating comfort. Equipped with wide field of view mast to improve driver's field of view.
Sensitive and Stable Integral steering device, more sensitive directivity, smooth operation, more stable quality.
Convenient Maintenance Interior space of car body is more spacious Parts Positions are more reasonable. Maintainability of machine is better.
Safety and Reliable High-strength integral hood and one-body impact molding overhead guard.

LG15GLT



LG20/25/30/35GLT



**For more information on Lonking products,
Please contact our local agent:**

The following blank can be used for notes or comments.

LONKING 龙工

LG15/20/25/30/35GLT BALANCEWEIGHT TYPE FORKLIFT TRUCK WITH ENGINE Efficiency Rules the Future



LONKING (FU JIAN) INTERNATIONAL TRADE CO., LTD.

LONKING HOLDINGS LIMITED

Add: 26 Minyi Road, Xinqiao, Songjiang Industrial Zone, Shanghai

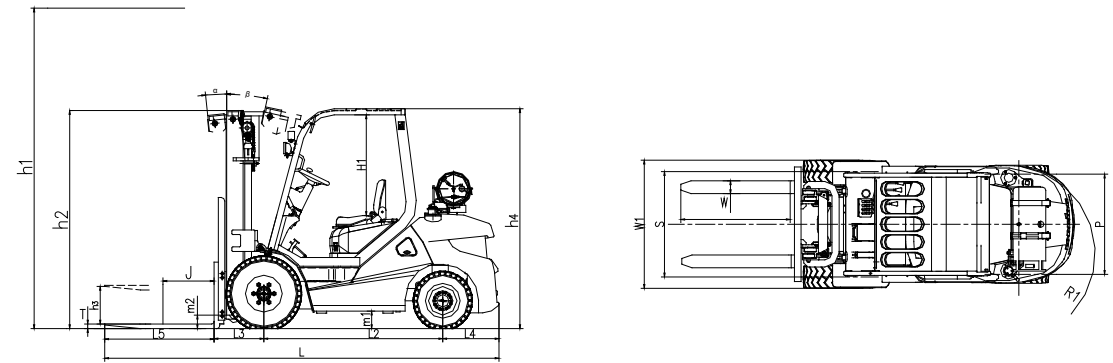
Tel: +86-21-3760 2242 E-mail: export@lonking.cn

<http://www.lonkinggroup.com>

	LG15GLT	LG20GLT	LG25GLT	LG30GLT	LG35GLT
Rated Capacity (kg)	1500	2000	2500	3000	3500
Load Center (mm)	500	500	500	500	500
Power Type	Gasoline/LPG				

OVERALL SPECIFICATIONS

Type	No.	Item	Code	Unit	Data				
Identification	1.01	Manufacturer			LONKING				
	1.02	Model			LG15GLT	LG20GLT	LG25GLT	LG30GLT	LG35GLT
	1.03	Power type			Gasoline/LPG				
	1.04	Rated capacity	Q	kg	1500	2000	2500	3000	3500
	1.05	Load center	J	mm	500	500	500	500	500
Dimensions	2.01	STD Max height (with backrest)		mm	3906	3965	3965	4210	4210
	2.02	STD Max lifting height	h1	mm	3000	3000	3000	3000	3000
	2.03	Overhead guard height	h4	mm	2090	2130	2130	2150	2150
	2.04	Overall length (with fork)	L1	mm	3180	3670	3670	3850	3880
	2.05	Wheelbase	L2	mm	1400	1650	1650	1750	1750
	2.06	Front overhang	L3	mm	410	448	448	487	498
	2.07	Rear overhang	L4	mm	425	500	500	550	580
	2.08	Min.ground clearance (Frame/Mast)	m1/m2	mm	100/110	160/135	160/135	165/132	165/131
	2.09	Overall width	W1	mm	1090	1165	1165	1250	1250
	2.10	Adjusting range of fork (outside)		mm	226-970	240-1040	240-1040	255-1055	255-1055
	2.11	STD Fork size (L5*W*T)		mm	920×100×35	1070×120×40	1070×122×45	1070×122×50	
	2.12	Front wheel tread	S	mm	890	970	970	1030	1030
	2.13	Rear wheel tread	P	mm	870	980	980	980	980
	2.14	Min.turning radius	R1	mm	1950	2300	2300	2520	2530
2.15	Min aisle width for pallet 1000×1200,crossways		mm	3630	3950	3950	4200	4225	
2.16	Min aisle width for pallet 800×1200,lengthways		mm	3760	4148	4148	4407	4428	
Tires	3.01	Wheels number, front/rear (X=driven wheels)			X=2/2				
	3.02	Tires type			Pneumatic				
	3.03	Tires size, front			6.5-10-10PR	7.00-12-12PR	28×9-15-14PR		
	3.04	Tires size, rear			5.00-8-10PR	6.00-9-10PR	6.50-10-10PR		
Other Details	4.01	Max.traveling speed, loaded/unloaded		km/h	14/15	18.5/20	18.5/20	18.5/20	18.5/20
	4.02	Max.lifting speed, loaded/unloaded		mm/s	480/500	480/510	480/510	450/485	450/485
	4.03	Lowering speed, loaded/unloaded		mm/s	Loaded ≤ 600/Unloaded ≥ 300				
	4.04	Max.gradient, loaded/unloaded		%	20	20	20	20	20
	4.05	STD operating weight (with oil & water)		kg	2900	3310	3550	4180	4650
	4.06	Axles loading,front/rear (loaded)		kg	3960/440	4725/525	5490/610	6520/640	7265/865
	4.07	Axles loading,front/rear (unloaded)		kg	1160/1740	1300/1950	1440/2160	1680/2480	1760/2870
	4.08	Service brake			Power brake-pedal				
	4.09	Parking brake			Mechanical-hand brake lever				
	4.10	Drive type			Hydraulic gearbox with electric reversing				
	4.11	Fuel tank capacity		L	41	50	50	60	60
	4.12	Battery votage/capacity		V/Ah	12/60	12/80			



MAST SPECIFICATIONS

2 Stage Standard Mast-Super Wide Field

Mast Model	h1 Max Lifting Height (mm)	Load Capacity (J=500mm) (kg)					h2 Lowered Mast Height (mm)				h3 Free Lifting Height, without backrest (mm)				Mast tilt α/β (°)
		1.5T	2T	2.5T	3T	3.5T	1.5T	2-2.5T	3T	3.5T	1.5T	2-2.5T	3T	3.5T	
M200	2000	1500	2000	2500	3000	3500	1487	1500	1632	1680	105	150	125	170	6/12
M225	2250	1500	/	/	/	/	1612	/	/	/	105	/	/	/	6/12
M250	2500	1500	2000	2500	3000	3500	1737	1750	1882	1930	105	150	125	170	6/12
M275	2750	1500	/	/	3000	/	1862	/	2007	/	105	/	125	/	6/12
M300	3000	1500	2000	2500	3000	3500	1987	2000	2132	2180	105	150	125	170	6/12
M330	3300	1500	2000	2500	3000	3500	2137	2150	2282	2330	105	150	125	170	6/12
M350	3500	1500	2000	2500	3000	3500	2237	2250	2382	2430	105	150	125	170	6/12
M370	3700	/	2000	2500	/	3500	/	2350	/	2530	/	150	/	170	6/12
M375	3750	1500	/	/	3000	/	2362	/	2507	/	105	/	125	/	6/6
M400	4000	1400	2000	2500	2950	3200*3400	2537	2550	2682	2730	105	150	125	170	6/6
M425	4250	1300	1850*2000	2250*2500	2850*3000	3100*3300	2662	2675	2807	2855	105	150	125	170	6/6
M450	4500	1200	1600*1900	2100*2400	2600*2800	2900*3100	2787	2800	2932	2980	105	150	125	170	6/6
M475	4750	1100	1400*1800	1900*2200	/	2700*2900	2912	3925	/	3105	105	150	/	170	6/6
M500	5000	1000	1300*1700	1600*1900	2100*2400	2400*2750	3037	3050	3182	3230	105	150	125	170	6/6
M550	5500	800	1200*1500	1200*1700	2000*2400	2200*2400	3337	3350	3482	3530	105	150	125	170	3/6
M600	6000	500	1000*1300	900*1400	1500*2000	*2200	3587	3600	3732	3780	105	150	125	170	3/6

Note:*** means capacity of double front wheels.

2 Stage Free Mast-Super Free Lifting Height

Mast Model	h1 Max Lifting Height (mm)	Load Capacity (J=500mm) (kg)					h2 Lowered Mast Height (mm)				h3 Free Lifting Height, without backrest (mm)				Mast tilt α/β (°)
		1.5T	2T	2.5T	3T	3.5T	1.5T	2-2.5T	3T	3.5T	1.5T	2-2.5T	3T	3.5T	
ZM200	2000	1500	2000	2500	3000	3500	1595	1555	1632	1680	1037	1085	1051	965	6/12
ZM250	2500	1500	2000	2500	3000	3500	1845	1805	1882	1930	1287	1335	1301	1215	6/12
ZM270	2700	/	2000	2500	/	3500	/	1905	/	2030	/	1435	/	1315	6/12
ZM275	2750	1500	/	/	3000	/	1970	/	2007	/	1412	/	1426	/	6/12
ZM300	3000	1500	2000	2500	3000	3500	2095	2055	2132	2180	1537	1555	1551	1465	6/12
ZM330	3300	1500	2000	2500	3000	3500	2245	2205	2282	2330	1687	1735	1701	1615	6/12
ZM350	3500	1500	2000	2500	3000	3500	2345	2305	2382	2430	1787	1835	1801	1715	6/12
ZM370	3700	/	/	/	/	3500	/	/	/	2530	/	/	/	1815	6/12
ZM375	3750	1500	2000	2500	3000	/	2470	2430	2507	/	1912	1960	1926	/	6/6
ZM400	4000	1400	2000	2500	2850	3250*3500	2645	2605	2682	2730	2087	2135	2101	2015	6/6
ZM425	4250	/	/	/	/	/	/	/	/	/	/	/	/	/	/
ZM450	4500	1200	1600*1900	2100*2400	2600*2800	2900*3100	2895	2855	2932	2980	2337	2385	2351	2265	6/6

Note:*** means capacity of double front wheels. 1.5T free lifting height reduces 346mm with backrest. 2-2.5T free lifting height reduces 293mm with backrest. 3T free lifting height reduces 594mm with backrest. 3.5T free lifting height reduces 454mm with backrest.

3 Stage Free Mast-Super Free Lifting Height

Mast Model	h1 Max Lifting Height (mm)	Load Capacity (J=500mm) (kg)					h2 Lowered Mast Height (mm)				h3 Free Lifting Height, without backrest (mm)				Mast tilt α/β (°)
		1.5T	2T	2.5T	3T	3.5T	1.5T	2-2.5T	3T	3.5T	1.5T	2-2.5T	3T	3.5T	
ZSM360	3600	/	1900	2400	2900	3300	/	1805	1827	1862	/	1240	1254	1155	6/6
ZSM400	4000	1400	1800*1900	2300	2800	3300	1920	1930	1952	1987	1362	1365	1379	1280	6/6
ZSM435	4350	1300	1750*1900	2200*2400	2700*2900	2900*3100	2055	2055	2077	2112	1497	1490	1504	1405	6/6
ZSM450	4500	1200	1600*1800	2000*2300	2500*2700	2800*3000	2095	2118	2140	2175	1537	1550	1567	1470	6/6
ZSM470	4700	/	1300*1700	1800*2100	2350*2550	2600*2800	/	2183	2205	2240	/	1618	1632	1535	6/6
ZSM480	4800	1100	1250*1700	1700*2000	2250*2450	2500*2750	2195	2205	2227	2262	1637	1640	1654	1555	6/6
ZSM500	5000	950	1100*1600	1500*1800	2100*2300	2300*2600	2295	2305	2327	2362	1737	1740	1754	1655	6/6
ZSM540	5400	850	900*1400	1200*1600	1650*2100	1800*2300	2420	2430	2452	2487	1862	1865	1879	1780	3/6
ZSM550	5500	750	/	/	1500*2000	1700*2200	2455	/	2492	2527	1897	/	1919	1820	3/6
ZSM600	6000	450	600*1100	800*1300	1200*1800	1300*2000	2645	2655	2677	2712	2087	2090	2104	2005	3/6
ZSM650	6500	200	400*800	600*1000	900*1500	1000*1600	2835	2870	2892	2927	2277	2305	2319	2220	3/3

Note:*** means capacity of double front wheels. 1.5T free lifting height reduces 346mm with backrest. 2-2.5T free lifting height reduces 293mm with backrest. 3T free lifting height reduces 602mm with backrest. 3.5T free lifting height reduces 466mm with backrest.

ENGINE OPTIONAL

Engine Model	Manufacturer	Rated Power	Max.Torque	Bore/Cylinders Number/Displacement	Fuel Consumption	Applicable
GK21	NISSAN	31.2kW/2250rpm	134/1500-1700	89mm/4/2.065L	288g/kW.h	1.5-2.5T
PSI2.4	PSI	48kW/2700rpm	170/2400-2800	86.5mm/4/2.4L	298g/kW.h	2-2.5T
GK25	NISSAN	35.6kW/2100rpm	165/1500-1700	89mm/4/2.488L	299g/kW.h	3-3.5T